

FINE series PURE

Bellows • Metal Diaphragm series



Safety & Clean Technology

Fujikin Incorporated

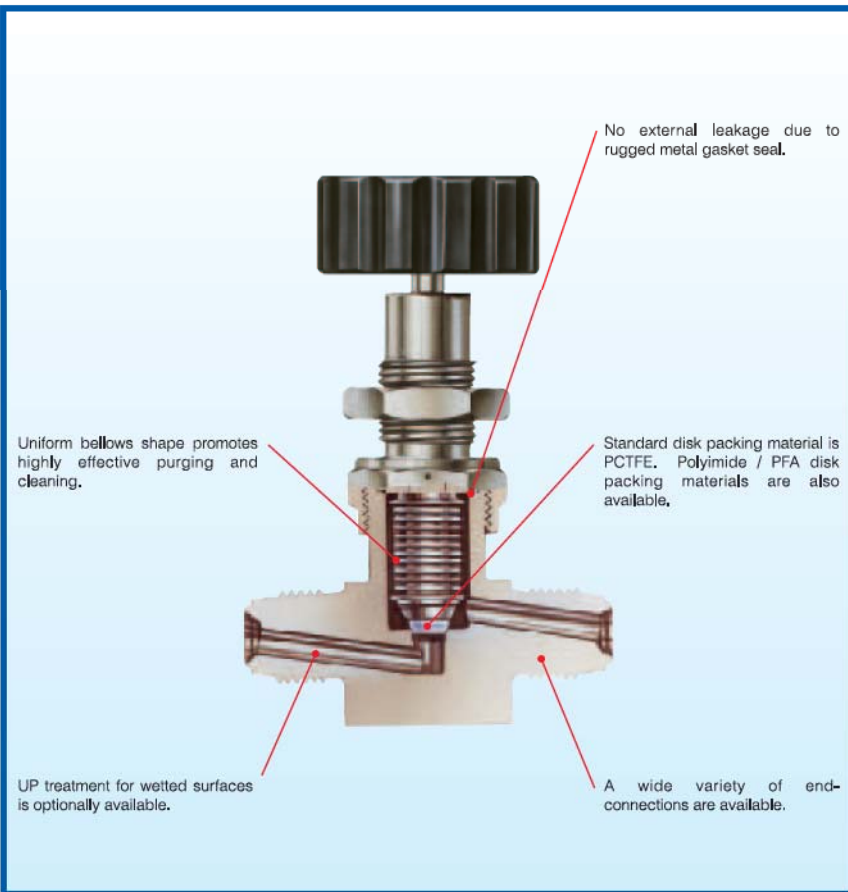


Round Handle Bellows Valve

Stainless Steel 1MPa

The Fujikin Round Handle Bellows valve is a compact valve designed for ultra-pure, flammable, or toxic fluid lines for all types of semiconductor equipment and facilities.

The Fujikin Round Handle Bellows valve is the most successful valve in the semiconductor industry due to its superior sealing performance, remarkable durability, compactness, ease of cleaning, and excellent purge characteristics.

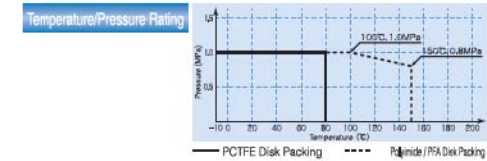


SPECIFICATIONS

Specification	Nominal Diameter	Maximum Operating Pressure	Fluid Temperature Range	Maximum Cv	End-Connections
	6.35 (1/4")	1MPa 145 psi	-10~80 °C	0.3	F900 UJR Tube Stub
	9.52 (3/8")		14~176 °F	0.8	
	12.7 (1/2")				

● All valves are helium leak tested. Vacuum method/results: External leakage: 5×10^{-11} Pa·m³/sec. Seat leakage: 5×10^{-11} Pa·m³/sec
 ● Demonstrated superior durability - over 20,000 cycles (actual test results).

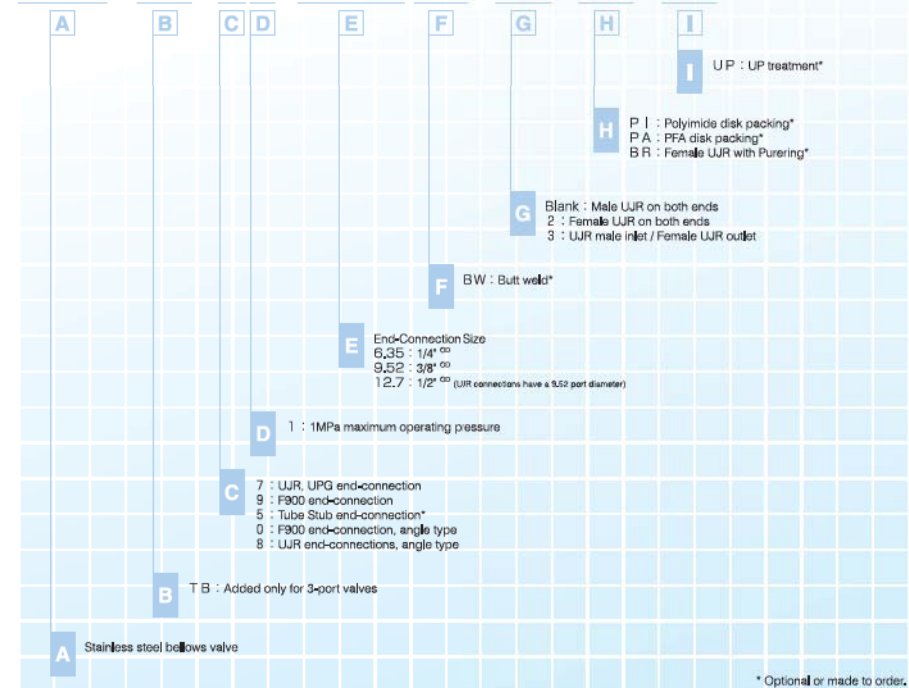
Materials	Part	Material
	Body	SUS316L
	Bellows	SUS316L
	Disk Packing	PCTFE
	Handle	A5056



PART NUMBER DESIGNATION

Please use the part number designations below when placing an order.

FUB-[]-71-6.35[]-[]-[]-[]

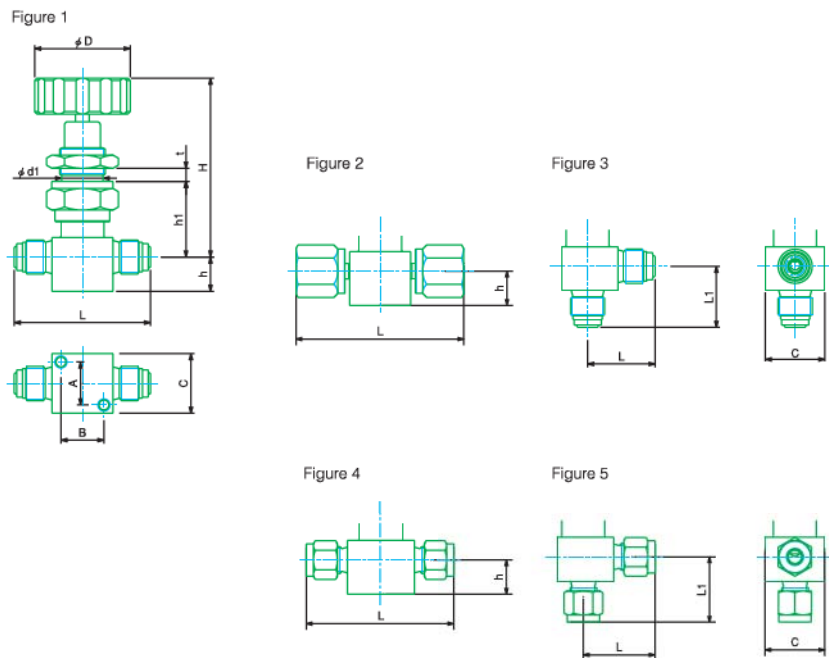


* Optional or made to order.

Actual shipped products may have additional designations (such as #A, #B) in the part number. These indicate production history and do not indicate a change in function or dimensions.



DIMENSIONS



OPTIONS

Other

Angle-type and 3/4" ^{OD} (Ø19.05 mm connection size) size can be made according to customer specifications.



FUB-91-19,05



FUB-81-6,35

(Unit : mm)

Part Number	Figure	D	L	H	h	t	h1	d1	A	B	C	L1
FUB-71-6,35	1	40	57.1	78,5	14,3	9,5	31,5	19,5	18	18	25	
FUB-71-6,35-2	2	40	70,6	78,5	14,3	9,5	31,5	19,5	18	18	25	
FUB-71-9,52	1	40	76,2	83	11,1	9,5	36	19,5	20,2	20,2	28	
FUB-71-9,52-2	2	40	83	83	12,7	9,5	35	19,5	20,2	20,2	28	
FUB-81-6,35	3	40	28,5	78,5		9,5	31,5	19,5			25	25,8
FUB-81-9,52	3	40	38,1	84		9,5	37	19,5			28	35
FUB-91-6,35	4	40	63,5	78,5	14,3	9,5	31,5	19,5	18	18	25	
FUB-91-9,52	4	40	80	83	12,7	9,5	36	19,5	20,2	20,2	28	
FUB-91-12,7	4	40	85	83	12,7	9,5	36	19,5	20,2	20,2	28	
FUB-01-6,35	5	40	32	78,5		9,5	31,5	19,5			25	32
FUB-01-9,52	5	40	40	83		9,5	36	19,5			28	40
FUB-01-12,7	5	40	42,5	83		9,5	36	19,5			28	42,5

See Figure 1 for dimension keys not shown in other Figures.

Photos are samples of each product type.