

POWERFUL



BALL VALVE

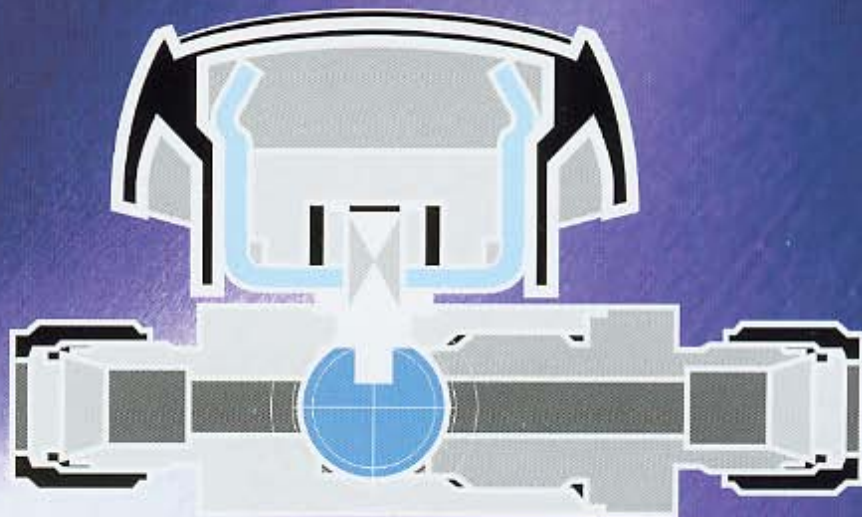
MINI BALL VALVES WITH HANDLES IN 4 COLORS



Ball Valve

- Compact & Lightweight
- 40kgf/cm²

Fujikin Incorporated.



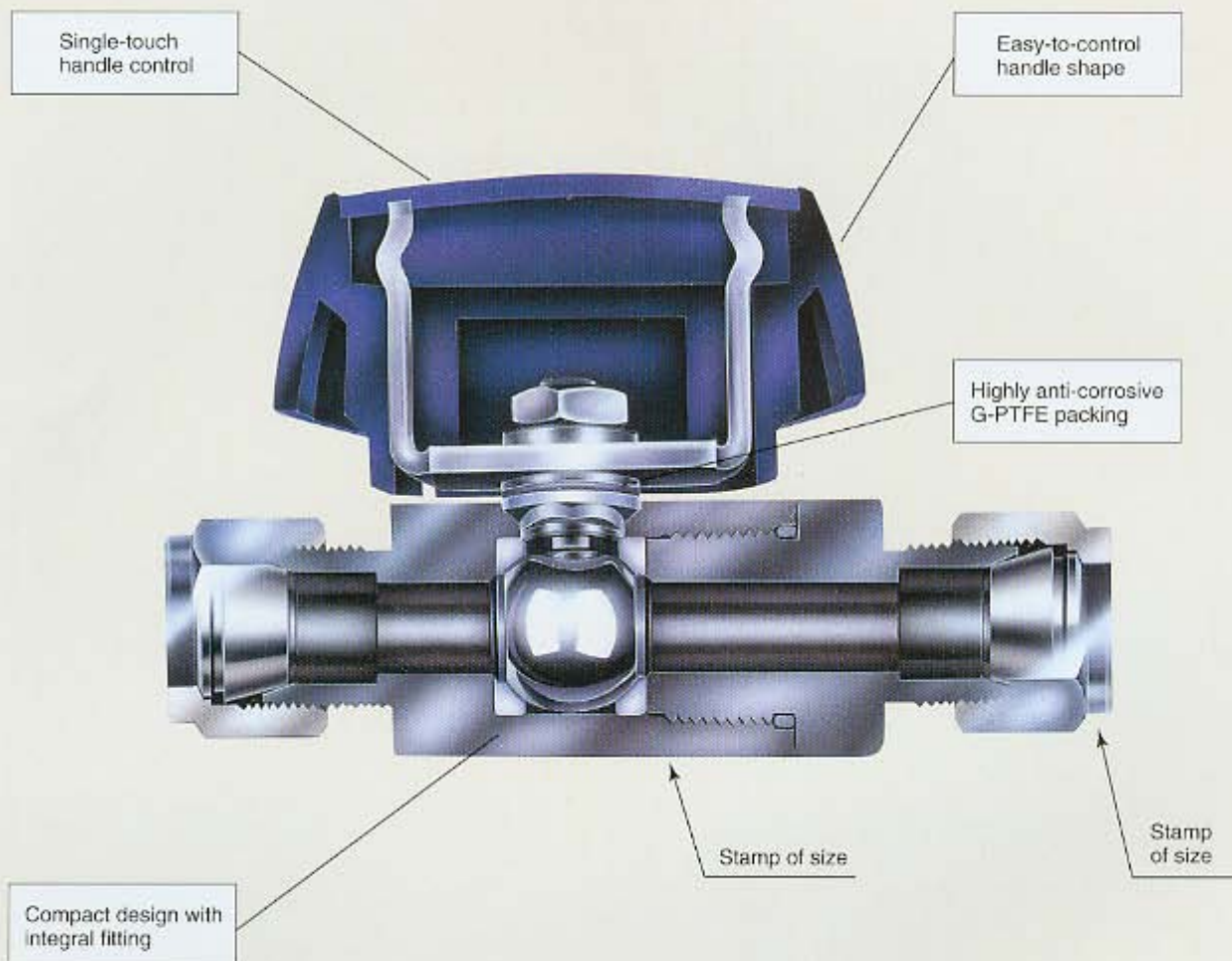
Patent, Utility Model, Resistration of Design (Filed/Pending)

Fujikin Incorporated

This catalog is made of the recycled papers authorized by Eco-Mark Office in order to contribute to the environmental conservation of earth.

POWERFUL SERIES QUICK-CONTROL BALL VALVE

MINI BALL VALVE WITH ID-COLORED HANDLES, 40kgf/cm², SUS316



*Possible to open and close even if the plastic handle comes off.

Colors of Handle Tops

Standard Color: BLACK



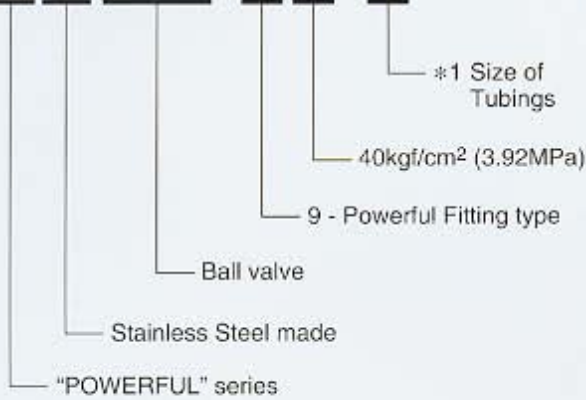
*For discrimination of process fluids, the handle with colored top in customers' favor. The above three colors are available on your request.

Product materials and dimensions are subject to change for product improvements without notice.

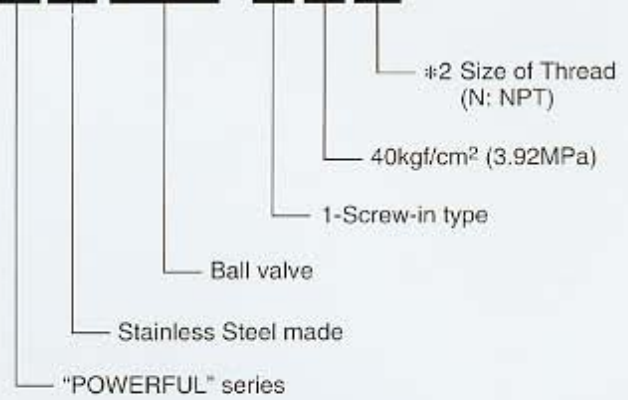
ITEM CODE DESIGNATOR SEQUENCE

- The PUBV-94 and PUBV-14 valves are coded as follows.
- When inquiring or ordering, specify the item code.

PUBV-94-6



PUBV-14B



*1 Size of Tubings

	INCH size	MM size
Size of Tubings	3.2 - connections ø3.2	3 - connections ø3
	6.35 - connections ø6.35	4 - connections ø4
	9.52 - connections ø9.52	6 - connections ø6
	12.7 - connections ø12.7	8 - connections ø8
		10 - connections ø10
		12 - connections ø12

*2 Size of Thread (for Taper Pipe Thread)

	Standard	A	B	C	D
Taper Pipe Thread	JIS B0203(1981)	PT1/8	PT1/4	PT3/8	PT1/2
Thread (ISO7:1)	JIS B0203(1982)	Male Thread R1/8	R1/4	R3/8	R1/2
		Female Thread Rc1/8	Rc1/4	Rc3/8	Rc1/2

Designations of threads are shown in accordance with JIS B0203(1982) (ISO7:1). JIS B0203(1981) is shown just for reference.

1



2



3



4



5



6



7



8



12



10

11

10

9



PARTS NAMES

Part No.	Part Name	Material
1	Handle	PBT
2	Nut	304 SS
3	Spring washer	304 SS
4	Handle holder	430 SS
5	Gland washer	304 SS
6	Packing	G-PTFE
7	Packing	G-PTFE
8	Stem	316 SS
9	End cap	316 SS
10	Seat	G-PTFE
11	Ball	316 SS
12	Body	316 SS

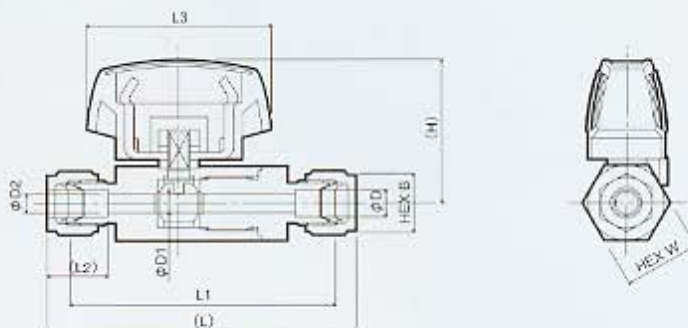


For critical and high purity system, an optional special cleaning treatment is available in other series.

BALL VALVE, STAINLESS STEEL MADE

PRESSURE RATING: 40 kgf/cm² (3.92MPa)

POWERFUL FITTING TYPE



• DIMENSIONS (M/M SIZE)

UNIT (mm)

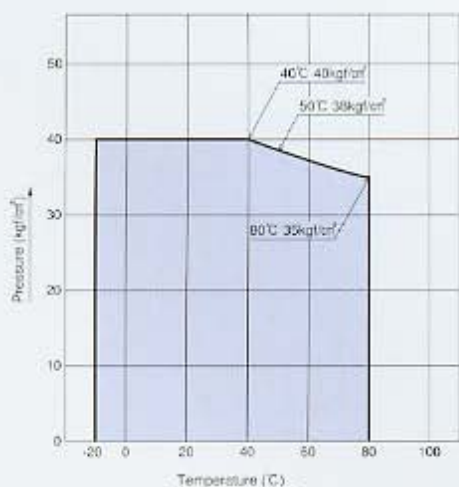
Valve Size D	Orifice D1	Face/Face Distance		Connections L2	Hole Diameter D2	Height H	Handle Length L3	Nut Flat Width B	Body Flat Width W	Code No.
		L	L1							
6	5	73	58	15.5	5	32.5	41	14	17	PUBV-94-6
8	7.5	77	62	16.2	6.5	40.5	50	16	21	PUBV-94-8
10	9	85.5	69.5	17.5	8	42	50	19	26	PUBV-94-10
12	9	90.5	70	23	10	42	50	22	26	PUBV-94-12

• DIMENSIONS (INCH SIZE)

UNIT (mm)

Valve Size D	Orifice D1	Face/Face Distance		Connections L2	Hole Diameter D2	Height H	Handle Length L3	Nut Flat Width B	Body Flat Width W	Code No.
		L	L1							
6.35	5	72	58	15	5	32.5	41	14	17	PUBV-94-6.35
9.52	7.5	79	63	17.5	7.5	40.5	50	17	21	PUBV-94-9.52
12.7	9	92	70	24	10	42	50	22	26	PUBV-94-12.7

• PRESS./TEMPT. CURVES



• MATERIALS

Part Name	Material
Body	316 SS
Stem	316 SS
Packing	G-PTFE
Handle	PBT

• SPECIFICATION

Max. Working Press. (kgf/cm ²)	Rating Tempt. (°C)
40	-10 ~ 80

*For pressures and temperatures beyond the above levels, refer to the separate "PUBV-95 series" catalog.

For using the Powerful Fitting type, carefully read the Powerful Fitting Instructions.