



Relief Valves

VURF SERIES

Thanks to you!



Fujikin Corp. Group

Features

VURF Series (High-Pressure Valves)

- Service up to 6000 psig (413 bar)
- Multiple springs for a selection of set pressure ranges

Technical Data

Temperature and Pressure Rating

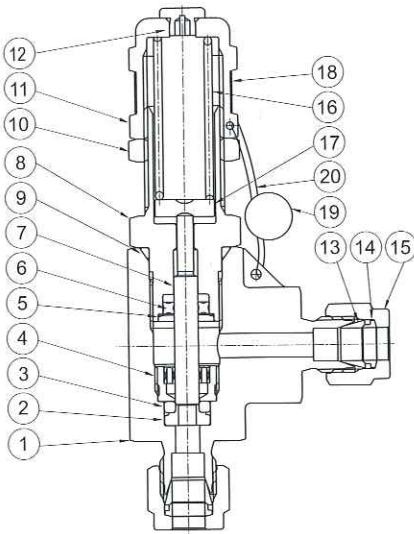
Type	1/4in.	1/2in.
Working pressure at 70°F(20°)	6000 psig(413bar) : up to 8000 psig(551bar) during relief	6000 psig(413bar)
Set Pressure ^①	50 to 6000 psig(3.4 to 413bar)	50 to 1500 psig(3.4 to 103bar)
Outlet pressure ^②	1500 psig(103bar)	2500psig(172bar)
Seat Material	FKM	FKM
Temperature, °F(°C)	Maximam Set Pressure,psig(bar)	
25(-4)	6000 (413)	1500 (103)
30(-1)		
50(10)		
150(65)	5580 (384)	
200(93)	5160 (355)	
250(121)	4910 (338)	
275(135)	—	
300(148)	—	

- This product opens gradually as the pressure increases. There is no designated capacity rating at a given pressure (accumulation), therefore, the product does not confirm to ASME standard or any other standards.
- A higher relief pressure than the set pressure may be required for opening the product initially, when the product is not in use for a long period of time.
- This product is a relief valve, therefore, do not use it as a safety valve.

- ① The pressure-temperature ratings are based upon laboratory testing to ensure that the cracking pressure does not deviate by more than 20% from the initial room-temperature set pressure.
- ② Outlet pressure should not exceed inlet pressure.

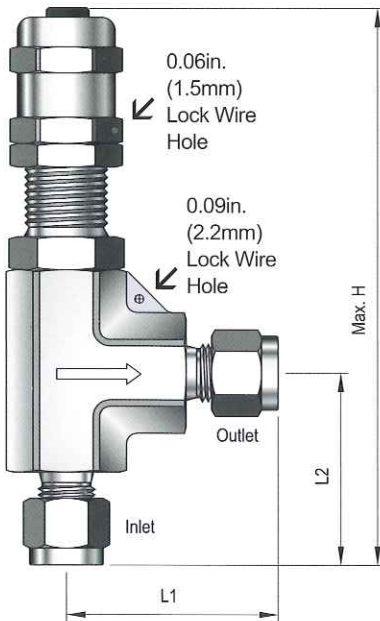
Materials of Construction

VURF Series (High-Pressure Valves)



No.	Material Grade / ASTM Specification		No.	Material Grade / ASTM Specification	
	Description	Material		Description	Material
1	BODY	ASTMA182 F316	11	CAP	ASTMA479 316
2	INSERT	ASTMA479 316	12	PLUG	NYLON6
3	O-RING	FKM	13	FRONT RING	ASTMA276 316
4	SEAT RETAINER	ASTMA479 316	14	BACK RING	ASTMA276 316
5	RETAINER	SUS304	15	NUT	ASTMA276 316
6	X-RING	FKM	16	SPRING	SUS631
7	STEM	ASTMA479 316	17	SPRING SUPPORT	ASTMA276 316
8	BONNET	ASTMA479 316	18	LABEL	TETRON
9	O-RING	FKM	19	CORD SEAL	Pb
10	LOCK NUT	ASTMA276 316	20	WIRE	SUS304-W1

Dimensions



1/4in. Type

End Conenction Inlet/Outlet	Size	Working Pressure psig(bar)	Orifice in.(mm)	Dimensions in.(mm)			Ordering Number
				L1	L2	H	
V-Lok	1/4in.	6000(413)	0.14(3.6)	1.60(40.6)	1.44(36.6)	4.14(105)	VURF-041L-6.35

1/2in. Type

End Conenction Inlet/Outlet	Size	Working Pressure psig(bar)	Orifice in.(mm)	Dimensions in.(mm)			Ordering Number
				L1	L2	H	
V-Lok	1/2in.	6000(413)	0.252(6.4)	1.83(46.5)	1.83(46.5)	5.92(150)	VURF-041L-12.7

Ordering Information

VURF — 041L — 6.35
 ①②③ — ④⑤⑥ — ⑦

- ① Valve Series
- ② Body Material
ASTMA182 F316
- ③ Valve Type
Relief Valves
- ④ Connection Type
V-Lok Angle Type
- ⑤ Working Pressure
6000psig(413bar)
- ⑥ Lock Nut

- ⑦ Connection Size
6.35 : V-Lok 1/4in.
12.7 : V-Lok 1/2in.

