

# Fujikin®

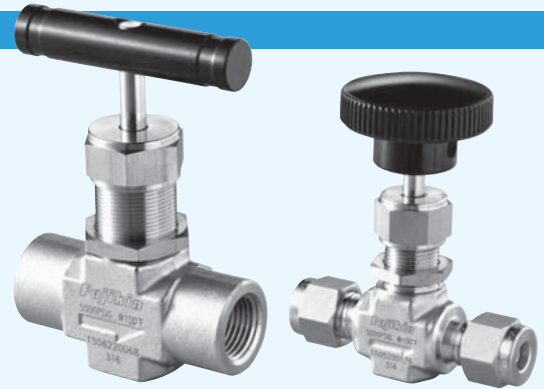
## PRODUCT CATALOG

**V® COLLECTION**



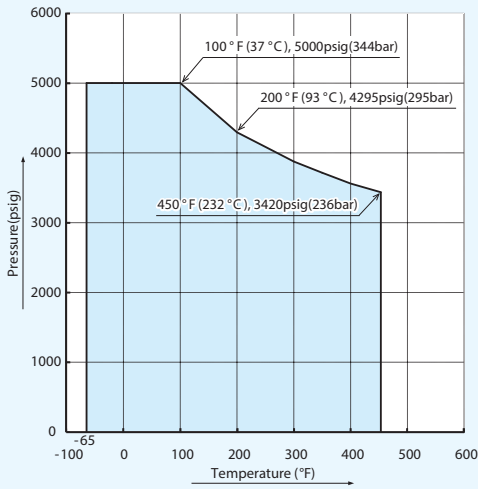
## Features

1. Integrate-type Body & Compact Design
2. Excellent Operability with Small Operating Torque
3. Panel Mount Type
4. Linear Flow Control
5. Available with Round Handle Type & Bar Handle Type
6. 2-Stem Design

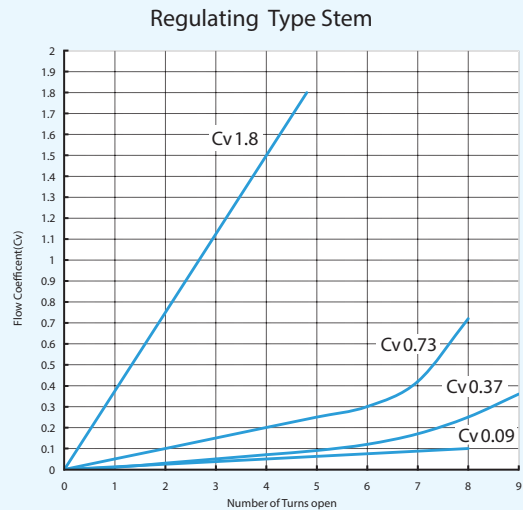
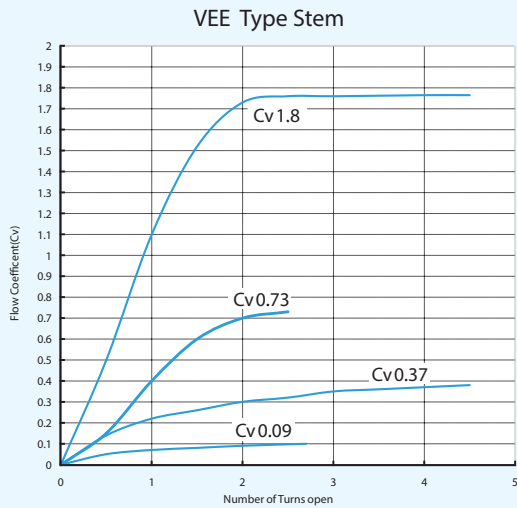


## Technical Data

### Temperature and Pressure Rating



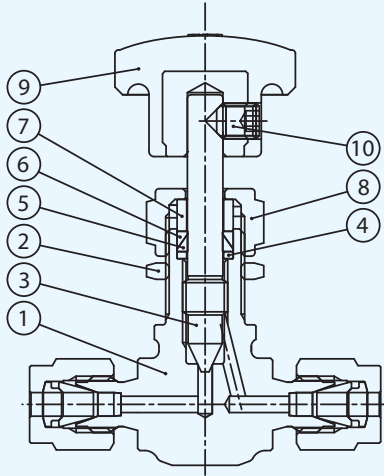
### Flow Coefficient (Cv Value)



### Applicable fluid

Air, Nitrogen gas, Inert gas like Helium, and non - corrosive gas and liquid.

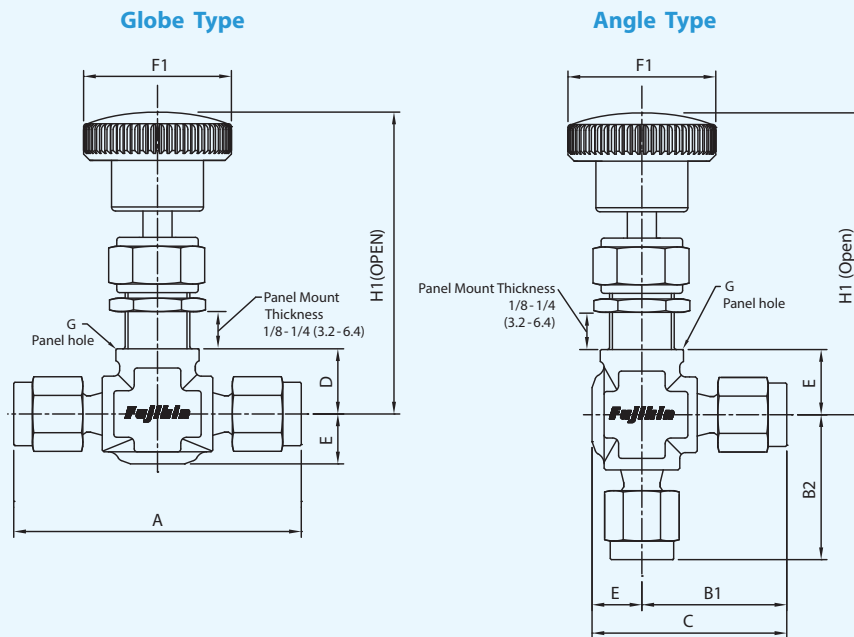
**Material of Construction**



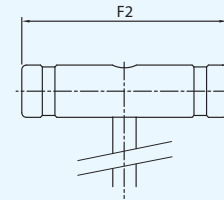
No.	Description	Material
1	BODY ※	ASTM A182 316
2	PANEL NUT	ASTM A276 316
3	STEM	ASTM A276 316 (Cr Plated)
	VEE TYPE ※	
	REGULATING TYPE ※	
4	LOWER GLAND ※	ASTM A276 316
5	LOWER PACKING ※	PTFE
6	UPPER PACKING ※	PTFE
7	PACKING GLAND	ASTM A276 316
8	LOCK NUT	ASTM A276 316
9	HANDLE	Phenolic with brass insert
10	SET SCREW	316 SS

※: Wetted Parts

## Dimensions



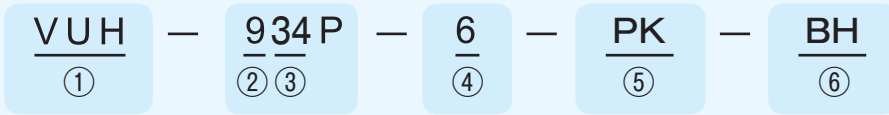
Bar Handle Type



End Connections	Nominal Sizes inch (mm)	Working Pressure psig(bar)	Orifice inch (mm)	Dimensions inch (mm)										Ordering Numbers									
				Cv	A	B1	B2	C	D	E	F1	F2	G		H1	H2							
V-Lok	1/8 (3.2)	5000 (344)	0.079 (2)	0.09	1.94(49.3)	0.98 (24.9)	1.29 (32.8)	0.44 (11.2)	0.31 (7.9)	1 (25.4)	1.73 (44)	0.47 (11.9)	2.28 (57.9)	1.91 (48.4)	VUH-934P-3.2								
	- (3)				2.27(57.6)																	VUH-934P-3 ※	
Female NPT	1/8 (-)				1.88(47.8)	0.94(23.9)	1.25(31.8)									VUH-134PAN-5 ※							
V-Lok	1/4 (6.35)			0.173 (4.4)	0.37	2.27(57.6)	1.13 (28.7)	1.51 (38.4)		0.38 (9.7)	1.38 (35.1)	1.73 (44)	0.53 (13.5)	2.5 (63.5)	2.02 (51.4)	VUH-934P-6.35							
	- (6)		2.34(59.4)			1.17(29.7)	1.54(39.1)														VUH-934P-6 ※		
- (8)						2.34(59.4)	1.17(29.7)	1.54(39.1)								VUH-934P-8 ※							
Female NPT	1/8 (-)					1.62(41.1)	0.81(20.6)	1.19(30.2)								VUH-134PAN ※							
V-Lok	3/8 (9.52)			0.252 (6.4)	0.73	2.58(65.5)	1.29(32.8)	1.79 (45.5)	0.55 (14)	0.5 (12.7)	1.88 (47.8)	2.52 (64)	0.78 (19.8)	2.97 (75.4)	2.43 (61.7)	VUH-934P-9.52							
	1/2 (12.7)		2.8(71.1)			1.4(35.6)	1.8(45.7)															VUH-934P-12.7-5	
	- (10)		2.6(66)			1.3(33)	1.8(45.7)																VUH-934P-10 ※
	- (12)		2.8(71.1)			1.4(35.6)	1.9(48.3)																VUH-934P-12-5 ※
Female NPT	1/4 (-)					2.12(53.8)	1.06(26.9)	1.56(39.6)								VUH-134PBN ※							
V-Lok	1/2 (12.7)		0.374 (9.5)	1.8	3.8 (96.5)	1.9 (48.3)	2.65 (67.3)	0.75 (19.1)	-	3 (76.2)	1.03 (26.2)	3.91 (99.3)	3.83 (97.4)		VUH-934P-12.7-BH								
	3/4 (19.05)																						VUH-934P-19.05-BH
	- (12)																						
- (18)															VUH-934P-18-BH ※								
Female NPT	3/8 (-)				3 (76.2)	1.5 (38.1)	2.25 (57.2)					3.88 (98.6)			VUH-134PCN-BH ※								
	1/2 (-)														VUH-134PDN-BH ※								

※ : Getting ready. Begin to sell it soon.

## Ordering Information



① Valve Series

- VUH : VEE Type Stem
- VUN : Regulating Type Stem
- (VUD : Soft Seat Type Stem)

② End Connection Types

- 0 : **V-Lok** Angle Type
- 1 : Thread Globe Type
- 3 : Thread Angle Type
- 9 : **V-Lok** Globe Type

③ Working Pressure

5000 psig (344 bar)

④ Connection Sizes

- 3.2 : **V-Lok** 1/8
- 6.35 : **V-Lok** 1/4
- 9.52 : **V-Lok** 3/8
- 12.7 : **V-Lok** 1/2
- 12.7-S : **V-Lok** 1/2 (Small Body Size Type)
- 19.05 : **V-Lok** 3/4
- 3 : **V-Lok** 3
- 6 : **V-Lok** 6
- 8 : **V-Lok** 8
- 10 : **V-Lok** 10
- 12 : **V-Lok** 12
- 12-S : **V-Lok** 12 (Small Body Size Type)
- 18 : **V-Lok** 18

When there are two kinds of Body Size to the same Connection Size, please add to ordering number of Small Type Body Size "-S" behind the character which shows the Connection Size.

Ex. 12-S, 12.7-S, AN-S

- AN : 1/8NPT
- AN-S : 1/8NPT (Small Body Size Type)
- BN : 1/4NPT
- CN : 3/8NPT
- DN : 1/2NPT

⑤ Packing Materials

- Blank : PTFE
- PK : PEEK ※
- PA : PFA ※
- PE : Polyethylene ※

⑥ Handle Types

- Blank : Round Handle Type ※
- BH : Bar Handle Type

※ : Getting ready. Begin to sell it soon.